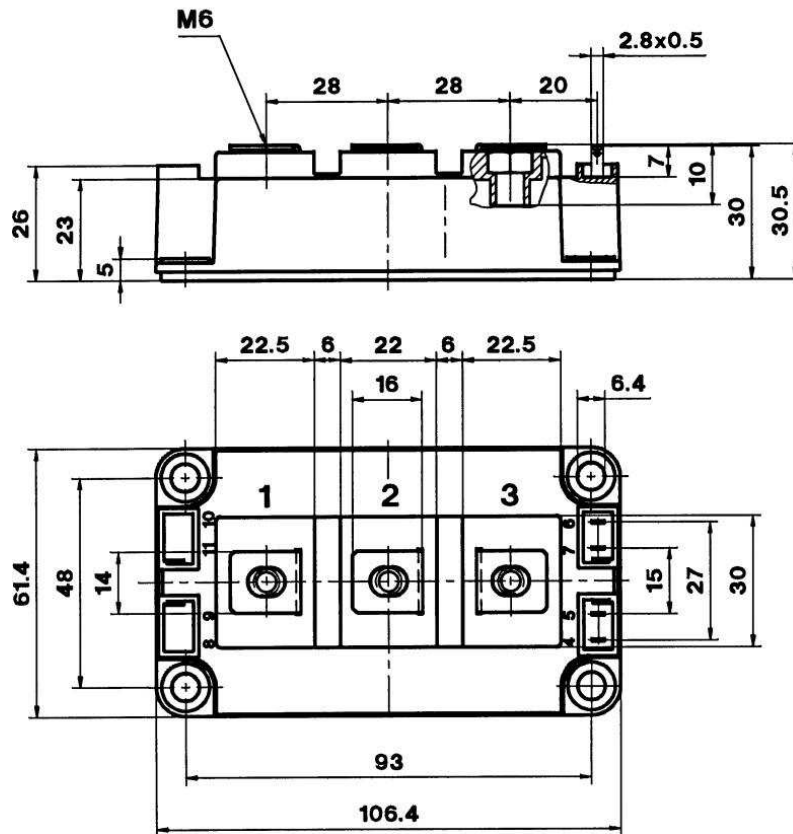


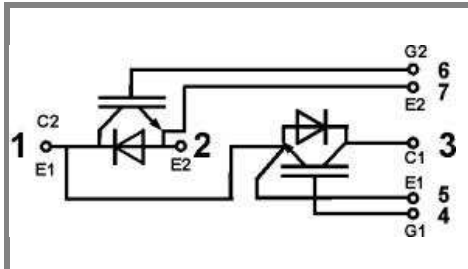
SKM 400GB066D

UL recognized, file no. E 63 532

CASED56



Case D 56



GB

Case D56