

SKPC600 CONTROL MODULES

SKPC600 SERIES ARE HIGH PERFORMANCE BURST FIRE CONTROL MODULES DESIGNED FOR APPLICATIONS AS DESCRIBED IN SKPC500 DATA. ADDITIONAL FEATURES HAVE BEEN INCORPORATED WHICH INCLUDE 4-20mA INPUT CONTROL SIGNAL AND AN ADJUSTABLE MAXIMUM POWER LIMIT SETTING.

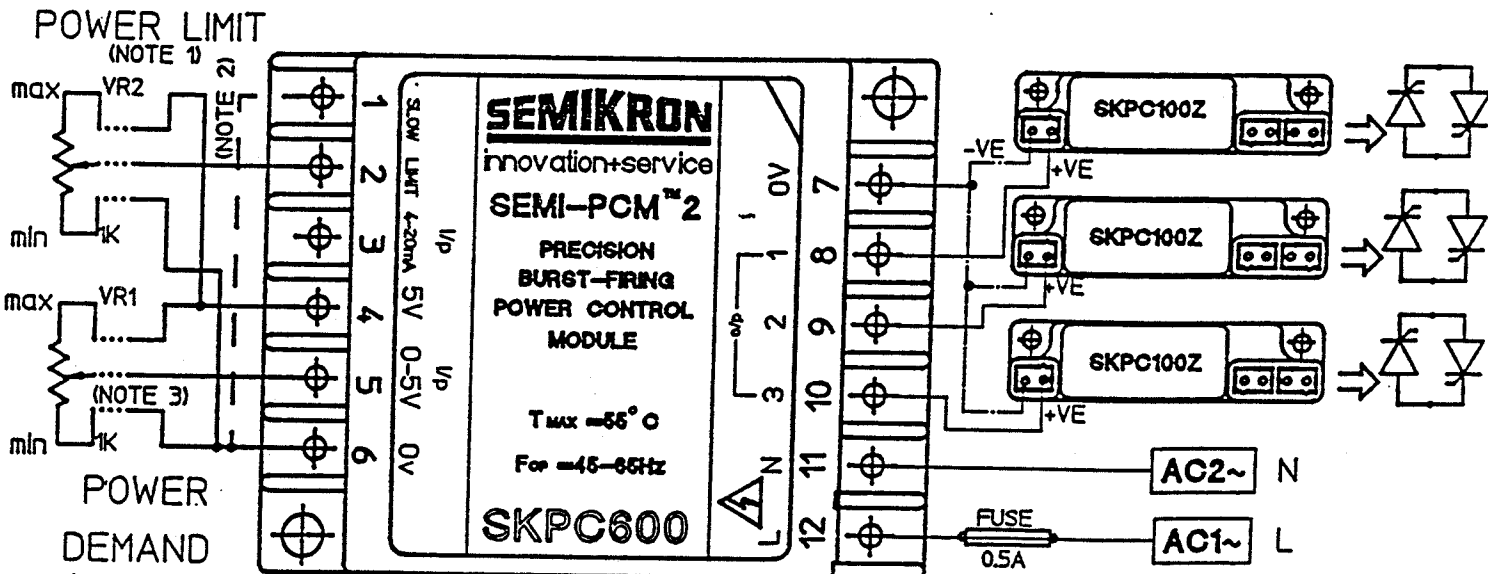
TYPES

SKPC600-115	115V A.C. SUPPLY
SKPC600-240	240V A.C. SUPPLY

MAIN SPECIFICATIONS

SUPPLY VOLTAGE TOLERANCE -	NOMINAL +10%, -15% (45-65HZ)
INPUT CONTROL SIGNAL RANGE -	0-5V D.C. OR 4-20 mA
INPUT IMPEDANCE -	100K OHM MIN. (VOL. SIG.) 270R MIN. (CURRENT SIG.)
REFERENCE OUTPUT -	5V @ 20 mA
OUTPUT LOGIC SIGNAL -	12V D.C. @ 30 mA
CONTROLLABLE DUTY CYCLE -	0-100%
CYCLE TIME @ 50% DUTY CYCLE -	TYP. 300 MS (FAST SETTING) 1500 MS (SLOW SETTING)
SUPPLY VOLTAGE ISOLATION -	2.5KV RMS
OPERATING TEMPERATURE -	0 TO 55 DEG.C SIZE - 92 x 70 x 32 MM (MOUNTING 80MM CTRS)

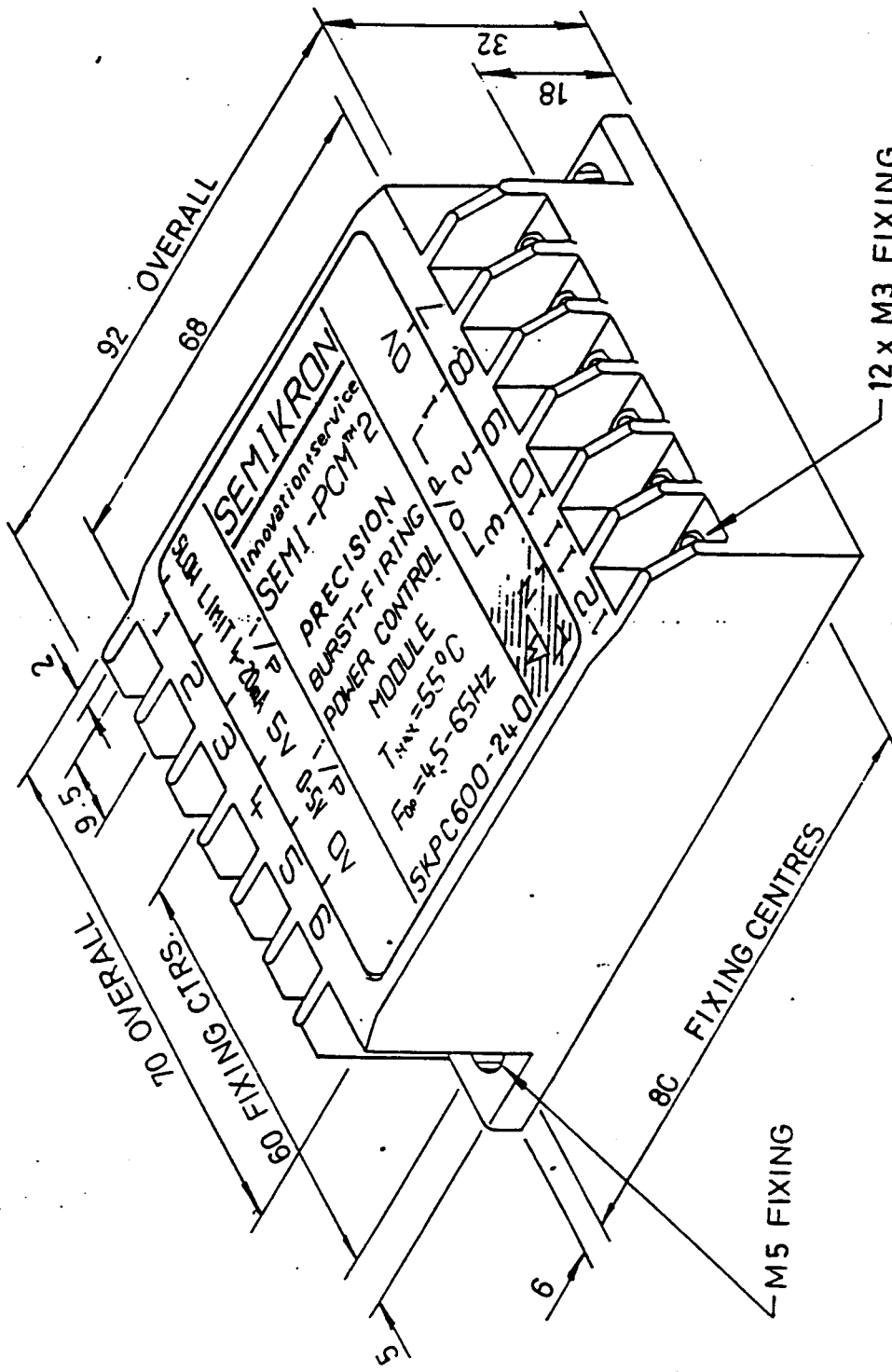
CONNECTION DIA. - 3 PHASE BURST FIRE CONTROLLER



NOTES:

- 1) If variable power limit not required, connect terminal 2 to 4.
- 2) For slow cycle time, connect terminal 1 to 6. DO NOT connect long leads to terminal 1.
- 3) For long cable runs to potentiometers, use screened cable.





SEMIKRON
 Innovation in Service
SEMI-PCM²
 PRECISION
 BURST-FIRING
 POWER CONTROL
 MODULE
 $T_{max} = 55^{\circ}C$
 $F_b = 4.5-65Hz$
 5KPC600-240

12 x M3 FIXING
SCREW AND WASHER

M5 FIXING

92 OVERALL

68

32

18

70 OVERALL

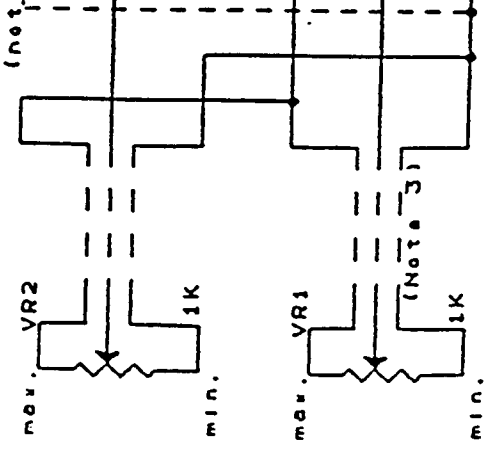
60 FIXING CTRS.

80 FIXING CENTRES

9.5

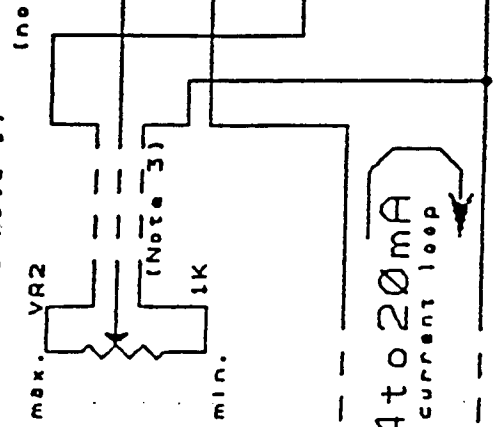
6

POWER LIMIT
(See note 1)



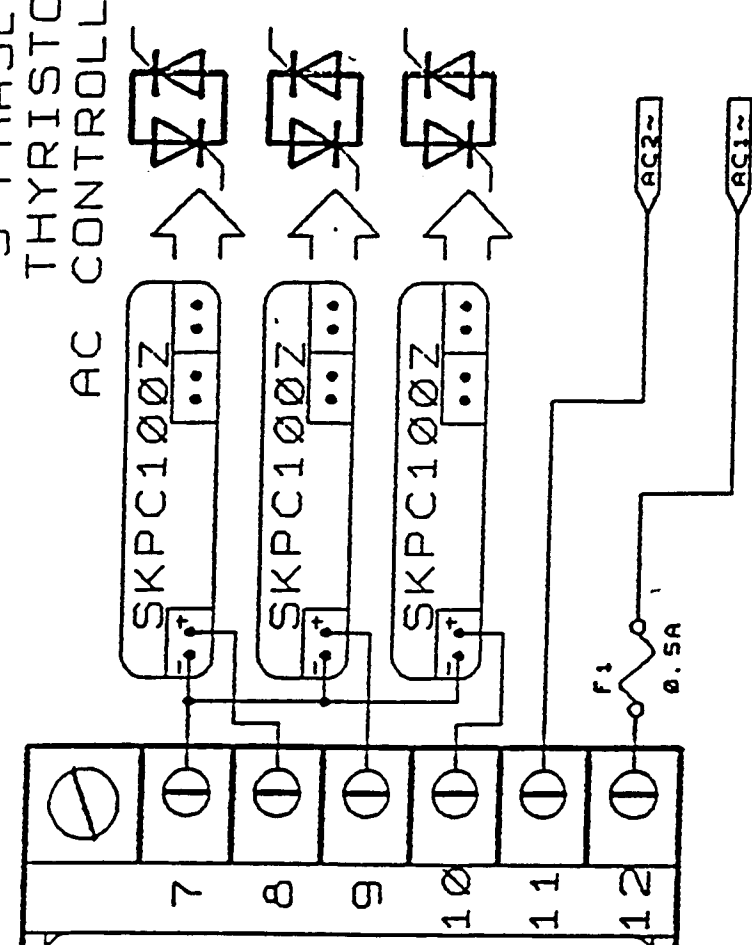
POWER DEMAND
voltage Input

POWER LIMIT
(See note 1)



POWER DEMAND
4 to 20mA
ALTERNATIVE.

**3 PHASE
THYRISTOR
AC CONTROLLER**



NOTES

- 1) If variable power limit not required, connect terminal 2 to 4.
- 2) For slow cycle time, connect terminal 1 to 6. DO NOT connect long leads to terminal 1.
- 3) For long cable runs to potentiometers, use screened cable.

Title

SKPC600 ALTERNATIVE WIRING DIAGRAMS

Size Document Number