

## SKPC600 CONTROL MODULES

SKPC600 SERIES ARE HIGH PERFORMANCE BURST FIRE CONTROL MODULES DESIGNED FOR APPLICATIONS AS DESCRIBED IN SKPC500 DATA. ADDITIONAL FEATURES HAVE BEEN INCORPORATED WHICH INCLUDE 4-20mA INPUT CONTROL SIGNAL AND AN ADJUSTABLE MAXIMUM POWER LIMIT SETTING.

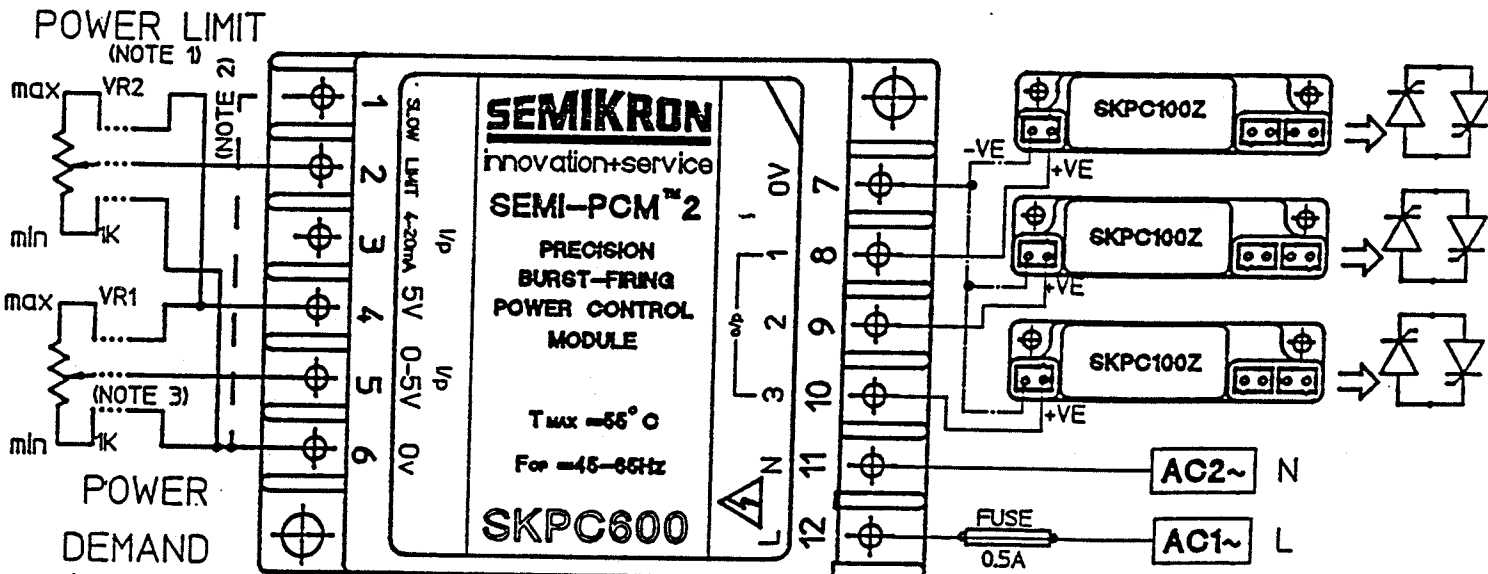
### TYPES

SKPC600-115	115V A.C. SUPPLY
SKPC600-240	240V A.C. SUPPLY

### MAIN SPECIFICATIONS

SUPPLY VOLTAGE TOLERANCE -	NOMINAL +10%, -15% (45-65HZ)
INPUT CONTROL SIGNAL RANGE -	0-5V D.C. OR 4-20 mA
INPUT IMPEDANCE -	100K OHM MIN. (VOL. SIG.) 270R MIN. (CURRENT SIG.)
REFERENCE OUTPUT -	5V @ 20 mA
OUTPUT LOGIC SIGNAL -	12V D.C. @ 30 mA
CONTROLLABLE DUTY CYCLE -	0-100%
CYCLE TIME @ 50% DUTY CYCLE -	TYP. 300 MS (FAST SETTING) 1500 MS (SLOW SETTING)
SUPPLY VOLTAGE ISOLATION -	2.5KV RMS
OPERATING TEMPERATURE -	0 TO 55 DEG.C SIZE - 92 x 70 x 32 MM (MOUNTING 80MM CTRS)

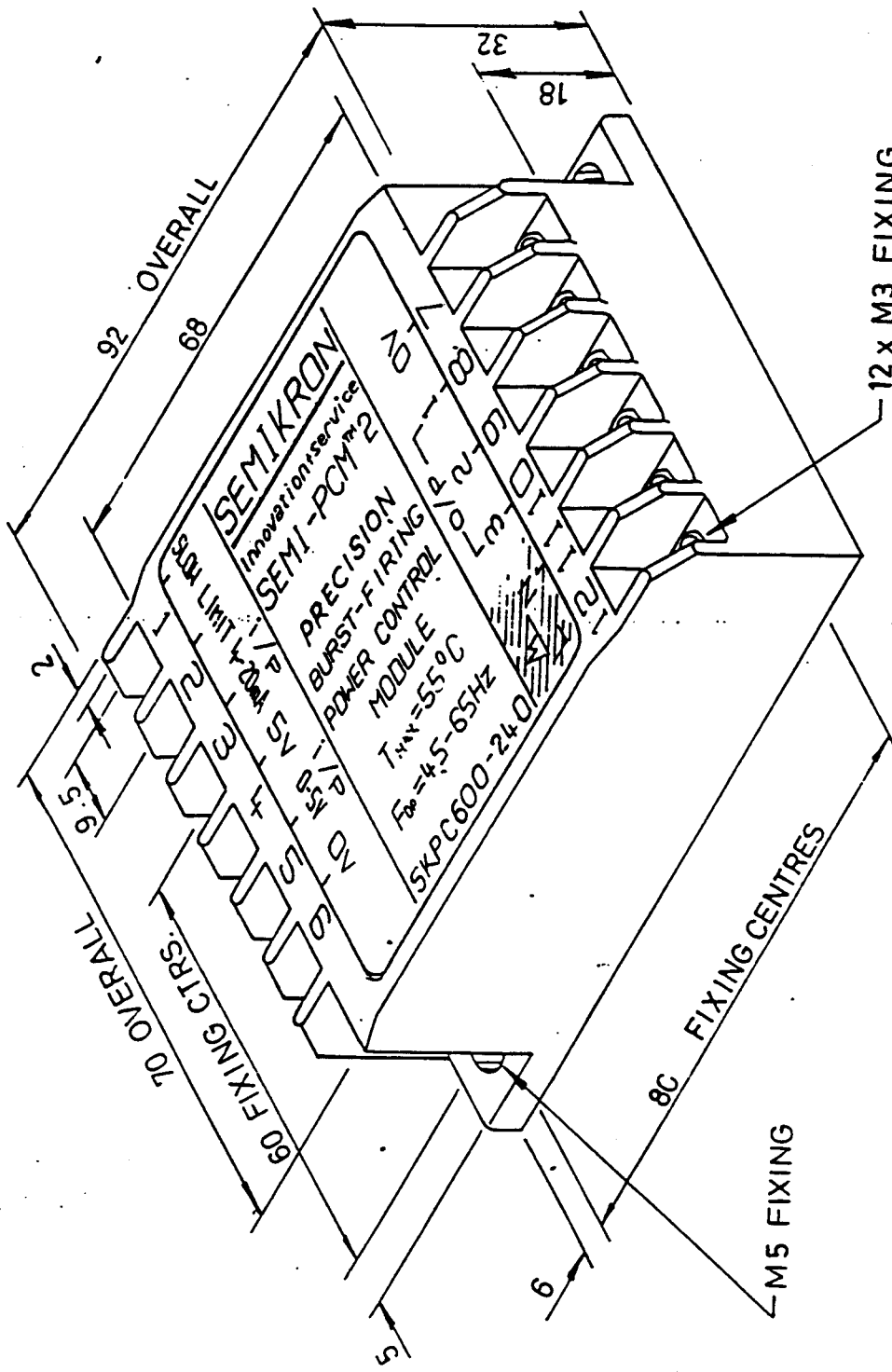
### CONNECTION DIA. - 3 PHASE BURST FIRE CONTROLLER



### NOTES:

- 1) If variable power limit not required, connect terminal 2 to 4.
- 2) For slow cycle time, connect terminal 1 to 6. DO NOT connect long leads to terminal 1.
- 3) For long cable runs to potentiometers, use screened cable.





12 x M3 FIXING  
SCREW AND WASHER

M5 FIXING

80 FIXING CENTRES

92 OVERALL

68

32

18

70 OVERALL

60 FIXING CTRS.

SEMIKRON  
Innovation in Service  
SEMI-PCM™ 2  
PRECISION  
BURST-FIRING  
POWER CONTROL  
MODULE  
T<sub>max</sub> = 55°C  
F<sub>b</sub> = 4.5-65Hz  
SKPC600-240

9.5

2

2

2

2

2

2

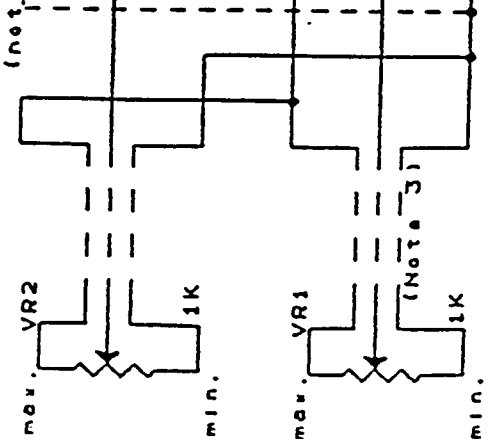
2

2

2

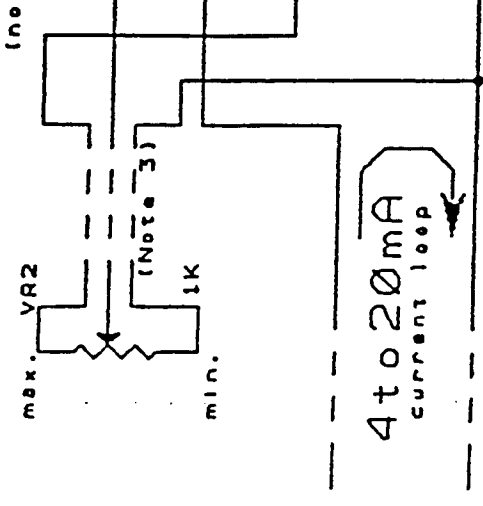
2

**POWER LIMIT**  
(See note 1)



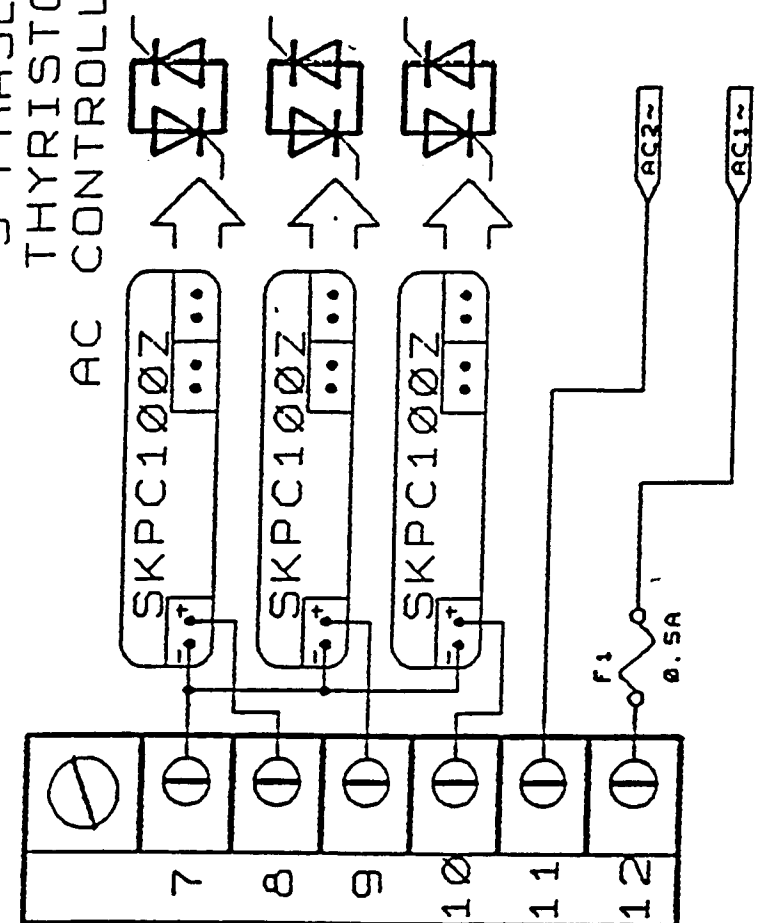
**POWER DEMAND**  
voltage Input

**POWER LIMIT**  
(See note 1)



**POWER DEMAND**  
4 to 20mA  
ALTERNATIVE.

**3 PHASE  
THYRISTOR  
AC CONTROLLER**



**NOTES**

- 1) If variable power limit not required, connect terminal 2 to 4.
- 2) For slow cycle time, connect terminal 1 to 6. DO NOT connect long leads to terminal 1.
- 3) For long cable runs to potentiometers, use screened cable.

Title	SKPC600 ALTERNATIVE WIRING DIAGRAMS
Size	Document Number